

# Shaft Collars



## CONTENTS

	<b>Page</b>
<b>Solid Shaft Collar</b>	<b>1</b>
<b>Single Split Shaft Collar</b>	<b>2</b>
<b>Double Split Shaft Collar</b>	<b>3</b>

**This information is a guide only. BearingsRus are not responsible for any incorrect data.**



## Solid shaft collar with set screw(s) Shaft Size 4mm - 80mm

- Industry Standard
- Anti-corrosion finish

**TYPE CABU in Steel EN8 Zinc plated**  
Supplied with setscrew

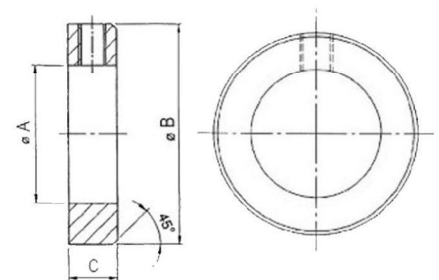
Stock Ref.	Bore A (mm)	Diameter B (mm)	Width C (mm)	Setscrew
WHCABU4Z	4	8	5	M2.5
WHCABU5Z	5	10	6	M3
WHCABU6Z	6	12	8	M4
WHCABU7Z	7	12	8	M4
WHCABU8Z	8	16	8	M4
WHCABU9Z	9	18	10	M5
WHCABU10Z	10	20	10	M5
WHCABU11Z	11	20	10	M5
WHCABU12Z	12	22	12	M6
WHCABU13Z	13	22	12	M6
WHCABU14Z	14	25	12	M6
WHCABU15Z	15	25	12	M6
WHCABU16Z	16	28	12	M6
WHCABU17Z	17	28	12	M6
WHCABU18Z	18	32	14	M6
WHCABU20Z	20	32	14	M6
WHCABU22Z	22	36	14	M6
WHCABU24Z	24	40	16	M8
WHCABU25Z	25	40	16	M8
WHCABU28Z	28	45	16	M8
WHCABU30Z	30	45	16	M8
WHCABU32Z	32	50	16	M8
WHCABU35Z	35	56	16	M8
WHCABU38Z	38	56	16	M8
WHCABU40Z	40	63	18	M10
WHCABU45Z	45	70	18	M10
WHCABU50Z	50	80	18	M10
WHCABU55Z	55	80	20	M10
WHCABU60Z	60	90	20	M10
WHCABU65Z	65	100	22	M10
WHCABU70Z	70	100	20	M10
WHCABU75Z	75	110	25	M12
WHCABU80Z	80	110	25	M12

**TYPE CABUST in Stainless Steel 304**  
Supplied with setscrew

Stock Ref.	Bore A (mm)	Diameter B (mm)	Width C (mm)	Setscrew
WHCABU5ST	5	10	6	M3
WHCABU6ST	6	12	8	M4
WHCABU8ST	8	16	8	M4
WHCABU10ST	10	20	10	M5
WHCABU12ST	12	22	12	M6
WHCABU14ST	14	25	12	M6
WHCABU15ST	15	25	12	M6
WHCABU16ST	16	28	12	M6
WHCABU18ST	18	32	14	M6
WHCABU20ST	20	32	14	M6
WHCABU22ST	22	36	14	M6
WHCABU24ST	24	40	16	M8
WHCABU25ST	25	40	16	M8
WHCABU30ST	30	45	16	M8
WHCABU32ST	32	50	16	M8
WHCABU35ST	35	56	16	M8
WHCABU40ST	40	63	18	M10
WHCABU45ST	45	70	18	M10
WHCABU50ST	50	80	18	M10

**Tolerances (mm)**

Diameter A (4mm - 13mm)	+ 0.01 / + 0.06
Diameter A (14mm - 70mm)	+ 0.01 / + 0.08
Diameter B	+ 0.127 / - 0.00
Length C	+ 0.012 / - 0.12





## Single split shaft collar with clamp bolt Shaft Size 3mm - 80mm

- Industry Standard
- Anti-corrosion finish

**TYPE CASB in Steel EN8 Zinc plated**  
Supplied with Clamp Bolts

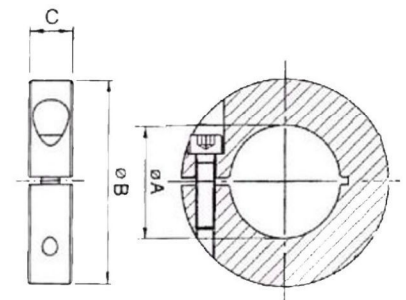
Stock Ref.	Bore A (mm)	Diameter B (mm)	Width C (mm)	Clamp Bolts
WHCASB3Z	3	16	9	M3x8
WHCASB4Z	4	16	9	M3x8
WHCASB5Z	5	16	9	M3x8
WHCASB6Z	6	16	9	M3x8
WHCASB7Z	7	18	9	M3x8
WHCASB8Z	8	18	9	M3x8
WHCASB9Z	9	24	9	M3x10
WHCASB10Z	10	24	9	M3x10
WHCASB11Z	11	28	11	M4x12
WHCASB12Z	12	28	11	M4x12
WHCASB13Z	13	30	11	M4x14
WHCASB14Z	14	30	11	M5x16
WHCASB15Z	15	34	13	M5x16
WHCASB16Z	16	34	13	M5x16
WHCASB17Z	17	36	13	M5x16
WHCASB18Z	18	36	13	M5x16
WHCASB19Z	19	40	15	M5x16
WHCASB20Z	20	40	15	M6x16
WHCASB24Z	24	45	15	M6x16
WHCASB25Z	25	45	15	M6x16
WHCASB28Z	28	48	15	M6x16
WHCASB30Z	30	54	15	M6x18
WHCASB32Z	32	54	15	M6x18
WHCASB35Z	35	57	15	M6x18
WHCASB38Z	38	60	15	M6x18
WHCASB40Z	40	60	15	M6x18
WHCASB45Z	45	73	19	M8x25
WHCASB50Z	50	78	19	M8x25
WHCASB60Z	60	88	19	M8x25
WHCASB70Z	70	98	19	M8x25
WHCASB80Z	80	108	19	M8x25

**TYPE CASBST in Stainless Steel 304**  
Supplied with Clamp Bolts

Stock Ref.	Bore A (mm)	Diameter B (mm)	Width C (mm)	Clamp Bolts
WHCASB8ST	8	18	9	M3x8
WHCASB10ST	10	24	9	M3x10
WHCASB12ST	12	28	11	M4x12
WHCASB15ST	15	34	13	M5x16
WHCASB16ST	16	34	13	M5x16
WHCASB20ST	20	40	15	M6x16
WHCASB25ST	25	45	15	M6x16
WHCASB30ST	30	54	15	M6x18

**Tolerances (mm)**

Diameter A (3mm - 6mm)	+ 0.05 / + 0.00
Diameter A (7mm - 28mm)	+ 0.07 / + 0.00
Diameter A (30mm - 80mm)	+ 0.12 / + 0.00
Diameter B	+ 0.20 / - 0.20
Length C	+ 0.08 / - 0.25





## Double split shaft collar with clamp bolt Shaft Size 3mm - 80mm

- Industry Standard
- Anti-corrosion finish

**TYPE CADB in Steel EN8 Zinc plated**  
Supplied with Clamp Bolts

Stock Ref.	Bore A (mm)	Diameter B (mm)	Width C (mm)	Clamp Bolts
WHCADB3Z	3	16	9	M3x8
WHCADB4Z	4	16	9	M3x8
WHCADB5Z	5	16	9	M3x8
WHCADB6Z	6	16	9	M3x8
WHCADB7Z	7	18	9	M3x8
WHCADB8Z	8	18	9	M3x8
WHCADB9Z	9	24	9	M3x10
WHCADB10Z	10	24	9	M3x10
WHCADB11Z	11	28	11	M4x12
WHCADB12Z	12	28	11	M4x12
WHCADB13Z	13	30	11	M4x14
WHCADB14Z	14	30	11	M5x16
WHCADB15Z	15	34	13	M5x16
WHCADB16Z	16	34	13	M5x16
WHCADB17Z	17	36	13	M5x16
WHCADB18Z	18	36	13	M5x16
WHCADB19Z	19	40	15	M5x16
WHCADB20Z	20	40	15	M6x16
WHCADB24Z	24	45	15	M6x16
WHCADB25Z	25	45	15	M6x16
WHCADB28Z	28	48	15	M6x16
WHCADB30Z	30	54	15	M6x18
WHCADB32Z	32	54	15	M6x18
WHCADB35Z	35	57	15	M6x18
WHCADB38Z	38	60	15	M6x18
WHCADB40Z	40	60	15	M6x18
WHCADB45Z	45	73	19	M8x25
WHCADB50Z	50	78	19	M8x25
WHCADB60Z	60	88	19	M8x25
WHCADB70Z	70	98	19	M8x25
WHCADB80Z	80	108	19	M8x25

**TYPE CADBST in Stainless Steel 304**  
Supplied with Clamp Bolts

Stock Ref.	Bore A (mm)	Diameter B (mm)	Width C (mm)	Clamp Bolts
WHCADB8ST	8	18	9	M3x8
WHCADB10ST	10	24	9	M3x10
WHCADB12ST	12	28	11	M4x12
WHCADB15ST	15	34	13	M5x16
WHCADB16ST	16	34	13	M5x16
WHCADB20ST	20	40	15	M6x16
WHCADB25ST	25	45	15	M6x16
WHCADB30ST	30	54	15	M6x18

**Tolerances (mm)**

Diameter A (3mm - 6mm)	+ 0.05 / + 0.00
Diameter A (7mm - 28mm)	+ 0.07 / + 0.00
Diameter A (30mm - 80mm)	+ 0.12 / + 0.00
Diameter B	+ 0.20 / - 0.20
Length C	+ 0.08 / - 0.25

