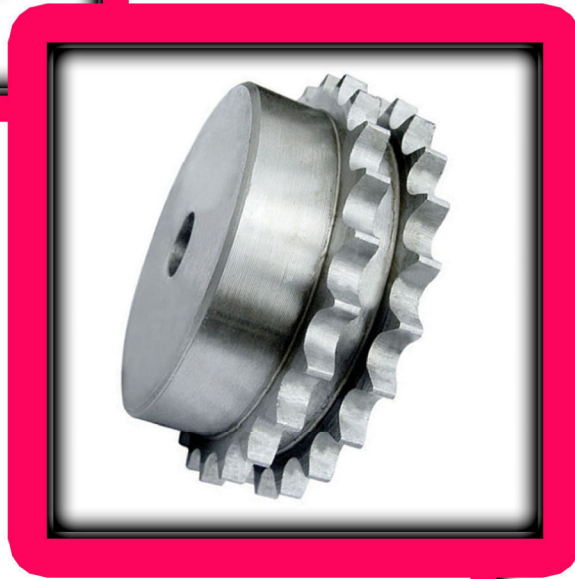
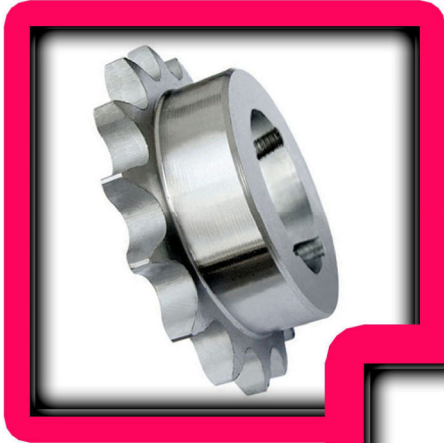


Sprockets

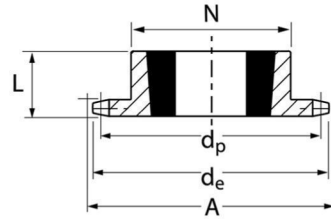


CONTENTS

Taper Lock Sprocket - British Standard	Page
3/8" - 5/8" Pitch	1
3/4" - 1" Pitch	2
Pilot Bore Sprocket - British Standard	
3/8" Pitch - (06B)	3
1/2" Pitch - (08B)	4
5/8" Pitch - (10B)	5
3/4" Pitch - (12B)	6
1" Pitch - (16B)	7
Platewheel - British Standard	
8mm (05B), 3/8" (06B), 1/2" (08B) Pitch	8
5/8" (10B), 3/4" (12B), 1" (16B) Pitch	9

This information is a guide only. BearingsRus are not responsible for any incorrect data.





06B British Standard Taper Lock Sprocket 3/8" (9.5mm) PITCH

B1 5.3mm
B2 15.4mm
B3 25.6mm

No. of teeth	Pitch Dia. (dp)	Outside Dia. (de)	Dia over Chain (A)	SIMPLEX			DUPLEX			TRIPLEX					
				Designation	Bush Size	Through Bore (L)	Boss Dia. (N)	Designation	Bush Size	Through Bore (L)	Boss Dia. (N)	Designation	Bush Size	Through Bore (L)	Boss Dia. (N)
17	51.84	56	60	31-17	1008	22.2	45	32-17	1008	22.2	45	33-17	1008	25.6	
19	57.86	62	66	31-19	1008	22.2	45	32-19	1008	22.2	45	33-19	1008	25.6	
20	60.89	64	68	31-20	1008	22.2	46	32-20	1008	22.2	49				
21	63.91	68	72	31-21	1008	22.2	46	32-21	1210	22.2	49	33-21	1008	25.6	
23	69.95	74	78	31-23	1210	25.4	63	32-23	1210	25.4	59	33-23	1210	25.6	
25	76.00	80	84	31-25	1210	25.4	63	32-25	1210	25.4	65	33-25	1210	25.6	
27	82.05	86	90	31-27	1210	25.4	63	32-27	1210	25.4	70	33-27	1210	25.6	
30	91.12	95	99	31-30	1210	25.4	63	32-30	1610	25.4	75	33-30	1615	38.0	79
38	115.34	119	123	31-38	1210	25.4	70	32-38	1610	25.4	80	33-38	1615	38.0	90
45	136.55	141	145	31-45	1210	25.4	70	32-45	1610	25.4	80				
57	172.90	177	181	31-57	1210	25.4	83	32-57	1610	25.4	80				
76	230.48	234	239	31-76	1210	25.4	83	32-76	1610	25.4	92				
95	288.08	292	296	31-95	1210	25.4	83	32-95	1610	25.4	92				

08B British Standard Taper Lock Sprocket 1/2" (12.7mm) PITCH

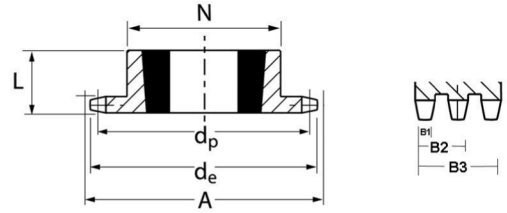
B1 7.2mm
B2 21.0mm
B3 34.9mm

No. of teeth	Pitch Dia. (dp)	Outside Dia. (de)	Dia over Chain (A)	SIMPLEX			DUPLEX			TRIPLEX					
				Designation	Bush Size	Through Bore (L)	Boss Dia. (N)	Designation	Bush Size	Through Bore (L)	Boss Dia. (N)	Designation	Bush Size	Through Bore (L)	Boss Dia. (N)
15	61.09	66	73	41-15	1008	22.2	45	42-15	1008	22.2	46	43-15	1008	34.9	
17	69.11	74	81	41-17	1210	25.4	60	42-17	1210	25.4	56	43-17	1210	34.9	
19	77.17	82	89	41-19	1210	25.4	63	42-19	1210	25.4	62	43-19	1210	34.9	
20	81.19	86	93	41-20	1610	25.4	65	42-20	1610	25.4	62				
21	85.22	90	97	41-21	1610	25.4	71	42-21	1610	25.4	70	43-21	1610	34.9	
23	93.27	99	106	41-23	1610	25.4	76	42-23	1610	25.4	79	43-23	1610	34.9	
25	101.32	106	113	41-25	1610	25.4	76	42-25	2012	32.0	87	43-25	2012	34.9	
27	109.40	114	121	41-27	1610	25.4	76	42-27	2012	32.0	87	43-27	2012	34.9	
30	121.50	126	133	41-30	2012	32.0	90	42-30	2012	32.0	87	43-30	2012	34.9	
38	153.80	159	166	41-38	2012	32.0	90	42-38	2012	32.0	100	43-38	2012	34.9	
45	182.07	188	195	41-45	2012	32.0	100	42-45	2012	32.0	100				
57	230.53	236	243	41-57	2012	32.0	110	42-57	2012	32.0	110				
76	307.31	312	319	41-76	2012	32.0	110	42-76	2012	32.0	110				
95	384.10	389	396	41-95	2012	32.0	110	42-95	2012	32.0	110				

10B British Standard Taper Lock Sprocket 5/8" (15.875mm) PITCH

B1 9.1mm
B2 25.5mm
B3 42.1mm

No. of teeth	Pitch Dia. (dp)	Outside Dia. (de)	Dia over Chain (A)	SIMPLEX			DUPLEX			TRIPLEX					
				Designation	Bush Size	Through Bore (L)	Boss Dia. (N)	Designation	Bush Size	Through Bore (L)	Boss Dia. (N)	Designation	Bush Size	Through Bore (L)	Boss Dia. (N)
13	66.34	73	81	51-13	1008	22.2	47								
15	76.35	83	91	51-15	1210	25.4	60	52-15	1210	25.4		53-15	1210	42.1	
17	86.39	93	101	51-17	1610	25.4	71	52-17	1610	25.4		53-17	1210	42.1	
19	96.44	103	111	51-19	1610	25.4	75	52-19	1610	25.4		53-19	1615	42.1	
20	101.49	108	116	51-20	1610	25.4	76	52-20	1610	25.4					
21	106.50	114	122	51-21	1610	25.4	76	52-21	1610	25.4		53-21	1615	42.1	
23	116.59	124	132	51-23	1610	25.4	76	52-23	1610	25.4		53-23	2012	42.1	
25	126.67	134	142	51-25	2012	32.0	90	52-25	2012	32.0	90	53-25	2517	45.0	105
27	136.75	144	152	51-27	2012	32.0	90	52-27	2012	32.0	90	53-27	2517	45.0	110
30	151.87	159	167	51-30	2012	32.0	90	52-30	2012	32.0	90	53-30	2517	45.0	120
38	192.23	200	208	51-38	2012	32.0	100								
45	227.58	235	243	51-45	2012	32.0	100								
57	288.19	296	304	51-57	2012	32.0	110								
76	384.15	392	400	51-76	2012	32.0	110								



12B British Standard Taper Lock Sprocket 3/4" (19.05mm) PITCH

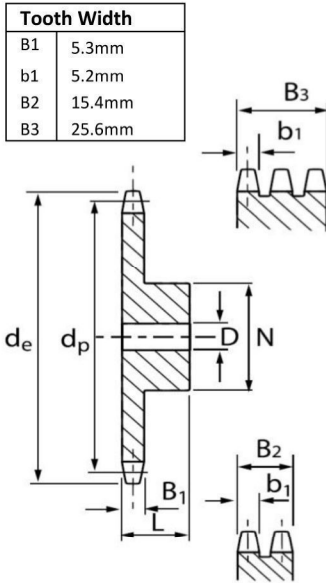
B1 11.1mm
B2 30.3mm
B3 49.8mm

No. of teeth	Pitch Dia. (dp)	Outside Dia. (de)	Dia over Chain (A)	SIMPLEX				DUPLEX				TRIPLEX					
				Designation	Bush Size	Through Bore (L)	Boss Dia. (N)	Designation	Bush Size	Through Bore (L)	Boss Dia. (N)	Designation	Bush Size	Through Bore (L)	Boss Dia. (N)		
13	79.6	88	96	61-13	1210	25.4	60										
15	91.62	100	108	61-15	1610	25.4	70	62-15	1610	25.4		63-15	1615	49.8			
17	103.68	112	120	61-17	1610	25.4	76	62-17	1610	25.4		63-17	2012	49.8			
19	115.75	124	132	61-19	2012	32	90	62-19	2012	32	90	63-19	2012	49.8			
20	121.78	130	138	61-20	2012	32	95										
21	127.81	136	144	61-21	2517	44.5	102	62-21	2517	44.5	108	63-21	2517	49.8			
23	139.9	149	157	61-23	2517	44.5	108	62-23	2517	44.5	108	63-23	2517	49.8			
25	151.99	160	168	61-25	2517	44.5	108	62-25	2517	44.5	130	63-25	2517	49.8			
27	164.09	172	180	61-27	2517	44.5	108	62-27	2517	44.5	130	63-27	3020	50.8	140		
30	182.25	191	197	61-30	2517	44.5	108	62-30	2517	44.5	130	63-30	3020	50.8	140		
38	230.68	239	247	61-38	2517	44.5	108	62-38	3020	50.8	140	63-38	3020	50.8	140		
45	273.1	283	291	61-45	2517	44.5	108	62-45	3020	50.8	140	63-45	3020	50.8	140		
57	345.82	355	363	61-57	2517	44.5	124	62-57	3020	50.8	160	63-57	3020	50.8	150		
76	460.98	470	478	61-76	2517	44.5	124	62-76	3020	50.8	160	63-76	3020	50.8	160		
95	576.17	585	593	61-95	2517	44.5	124	62-95	3020	50.8	160						

16B British Standard Taper Lock Sprocket 1" (25.4mm) PITCH

B1 16.2mm
B2 47.7mm
B3 79.6mm

No. of teeth	Pitch Dia. (dp)	Outside Dia. (de)	Dia over Chain (A)	SIMPLEX				DUPLEX				TRIPLEX					
				Designation	Bush Size	Through Bore (L)	Boss Dia. (N)	Designation	Bush Size	Through Bore (L)	Boss Dia. (N)	Designation	Bush Size	Through Bore (L)	Boss Dia. (N)		
13	106.15	117	127	81-13	1615	38.1	73										
15	122.17	133	143	81-15	1615	38.1	76	82-15	2012	32							
17	138.23	149	159	81-17	2012	32	90	82-17	2517	44.5		83-17	2517	76.2			
19	154.33	165	175	81-19	2517	44.5	108	82-19	2517	44.5		83-19	3030	76.2			
20	162.38	173	183	81-20	2517	44.5	108	82-20	2517	44.5							
21	170.43	181	191	81-21	2517	44.5	110	82-21	3020	50.8	140	83-21	3030	76.2			
23	186.54	198	208	81-23	2517	44.5	110	82-23	3020	50.8	140	83-23	3525	89			
25	202.67	214	224	81-25	2517	44.5	110	82-25	3020	50.8	140	83-25	3525	89			
27	218.79	230	240	81-27	2517	44.5	110	82-27	3020	50.8	140	83-27	3525	89			
30	243.00	254	264	81-30	3020	50.8	140	82-30	3020	76.2	140	83-30	3525	89			
38	307.59	321	331	81-38	3020	50.8	140	82-38	3020	76.2	140	83-38	3525	89	175		
45	364.13	377	387	81-45	3020	50.8	140	82-45	3020	76.2	140	83-45	4030	102	215		
57	461.09	474	484	81-57	3020	50.8	157	82-57	3525	89	175	83-57	4030	102	215		
76	614.63	627	637	81-76	3020	50.8	157	82-76	3525	89	175	83-76	4030	102	215		



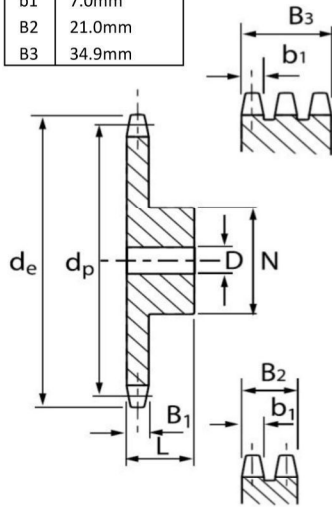
(06B) 3/8" British Standard Pitch

SPROCKET

No. of Teeth	Pitch Dia dp	Outer Dia de	Simplex (06B1--)				Duplex (06B2--)				Triplex (06B3--)			
			Hub Dia	Length Bore	Stock Bore	Type	Hub Dia	Length Bore	Stock Bore	Type	Hub Dia	Length Bore	Stock Bore	Type
			N	L	D		N	L	D		N	L	D	
8	24.89	28	15	22	8	A	15	22	8	A	15	32	8	A
9	27.85	31	16	22	8	A	18	22	8	A	18	32	8	A
10	30.82	34	20	22	8	A	20	22	8	A	20	32	10	A
11	33.8	37	22	25	8	A	22	25	10	A	22	35	10	A
12	36.8	40	25	25	8	A	25	25	10	A	25	35	10	A
13	39.79	43	28	25	10	A	28	25	10	A	28	35	10	A
14	42.8	46.3	31	25	10	A	31	25	10	A	31	35	12	A
15	45.81	49.3	34	25	10	A	34	25	10	A	34	35	12	A
16	48.82	52.3	37	28	10	A	37	30	12	A	37	35	12	A
17	51.83	55.3	40	28	10	A	40	30	12	A	40	35	12	A
18	54.85	58.3	43	28	10	A	43	30	12	A	43	35	12	A
19	57.87	61.3	45	28	10	A	46	30	12	A	46	35	12	A
20	60.89	64.3	46	28	10	A	49	30	12	A	49	35	12	A
21	63.91	68	48	28	12	A	52	30	12	A	52	40	14	A
22	66.93	71	50	28	12	A	55	30	12	A	55	40	14	A
23	69.95	73.5	52	28	12	A	58	30	12	A	58	40	14	A
24	72.97	77	54	28	12	A	61	30	12	A	61	40	14	A
25	76	80	57	28	12	A	64	30	12	A	64	40	14	A
26	79.02	83	60	28	12	A	67	30	12	A	67	40	14	A
27	82.05	86	60	28	12	A	70	30	12	A	70	40	14	A
28	85.07	89	60	28	12	A	73	30	12	A	73	40	14	A
29	88.09	92	60	28	12	A	76	30	12	A	76	40	14	A
30	91.12	94.7	60	30	12	A	79	30	12	A	79	40	14	A
31	94.15	98.3	65	30	14	A	80	30	16	A	80	40	16	A
32	97.17	101.3	65	30	14	A	80	30	16	A	80	40	16	A
33	100.2	104.3	65	30	14	A	80	30	16	A	80	40	16	A
34	103.23	107.3	65	30	14	A	80	30	16	A	85	40	16	A
35	106.26	110.4	65	30	14	A	80	30	16	A	85	40	16	A
36	109.29	113.43	70	30	14	A	90	30	16	A	90	40	16	A
37	112.32	116.4	70	30	14	A	90	30	16	A	90	40	16	A
38	115.35	119.5	70	30	14	A	90	30	16	A	90	40	16	A
39	118.37	122.5	70	30	14	A	90	30	16	A	90	40	16	A
40	121.4	125.5	70	30	14	A	90	30	16	A	90	40	16	A
45	136.55	140.7	70	32	19	B	80	32	19	B	90	56	24	B
57	172.91	176.9	70	32	19	B	80	32	19	B	90	56	24	B
76	230.49	234.5	70	32	19	B	80	32	19	B	100	56	24	B
95	288.08	292.5	80	40	19	B	80	32	19	B	100	56	24	B
114	345.68	350.3	80	40	20	B	95	45	20	B	100	56	24	B



Tooth Width	
B1	7.2mm
b1	7.0mm
B2	21.0mm
B3	34.9mm

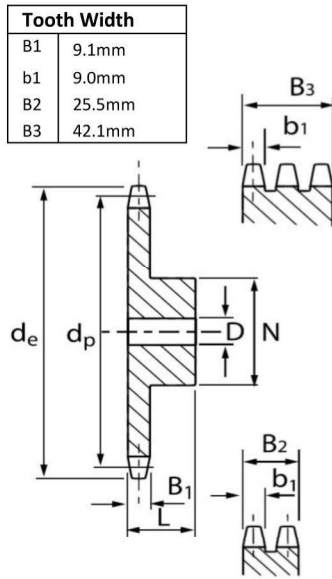


(08B) 1/2" British Standard Pitch

SPROCKET

No. of Teeth	Pitch Dia dp	Outer Dia de	Simplex (08B1--)				Duplex (08B2--)				Triplex (08B3--)			
			Hub Dia	Length Bore	Stock Bore	Type	Hub Dia	Length Bore	Stock Bore	Type	Hub Dia	Length Bore	Stock Bore	Type
			N	L	D		N	L	D		N	L	D	
8	33.18	37.2	20	25	10	A	20	32	10	A	20	46	10	A
9	37.13	41	24	25	10	A	24	32	10	A	24	46	12	A
10	41.1	45.2	26	25	10	A	28	32	10	A	28	46	12	A
11	45.07	48.7	29	25	10	A	32	35	12	A	32	50	14	A
12	49.07	53	33	28	10	A	35	35	12	A	35	50	14	A
13	53.06	57.4	37	28	10	A	38	35	12	A	38	50	14	A
14	57.07	61.8	41	28	10	A	42	35	12	A	42	50	14	A
15	61.09	65.5	45	28	10	A	46	35	12	A	46	50	14	A
16	65.1	69.5	50	28	12	A	50	35	14	A	50	50	16	A
17	69.11	73.6	52	28	12	A	54	35	14	A	54	50	16	A
18	73.14	77.8	56	28	12	A	58	35	14	A	58	50	16	A
19	77.16	81.7	60	28	12	A	62	35	14	A	62	50	16	A
20	81.19	85.8	64	28	12	A	66	35	14	A	66	50	16	A
21	85.22	89.7	68	28	12	A	70	40	16	A	70	55	16	A
22	89.24	93.8	70	28	12	A	70	40	16	A	70	55	16	A
23	93.27	98.2	70	28	14	A	70	40	16	A	70	55	16	A
24	97.29	101.8	70	28	14	A	75	40	16	A	75	55	16	A
25	101.33	105.8	70	28	14	A	80	40	16	A	80	55	16	A
26	105.36	110	70	30	16	A	85	40	16	A	85	55	20	A
27	109.4	114	70	30	16	A	85	40	16	A	85	55	20	A
28	113.42	118	70	30	16	A	90	40	16	A	90	55	20	A
29	117.46	122	80	30	16	A	95	40	16	A	95	55	20	A
30	121.5	126.1	80	30	16	A	100	40	16	A	100	55	20	A
31	125.54	130.2	90	30	16	A	100	40	20	A	110	55	20	A
32	129.56	134.3	90	30	16	A	100	40	20	A	110	55	20	A
33	133.6	138.4	90	30	16	A	100	40	20	A	110	55	20	A
34	137.64	142.6	90	30	16	A	100	40	20	A	110	55	20	A
35	141.68	146.7	90	30	16	A	100	40	20	A	110	55	20	A
36	145.72	151	90	35	16	A	100	40	20	A	120	55	25	A
37	149.76	154.6	90	35	16	A	100	40	20	A	120	55	25	A
38	153.8	158.6	90	35	16	A	100	40	20	A	120	55	25	A
39	157.83	162.7	90	35	16	A	100	40	20	A	120	55	25	A
40	161.87	166.8	90	35	16	A	100	40	20	A	120	55	25	A
45	182.07	188	70	40	19	B	90	50	23	B	100	60	24	B
57	230.54	236.4	70	40	19	B	90	50	23	B	100	60	24	B
76	307.33	313.3	80	40	23	B	100	56	23	B	100	60	24	B
95	384.11	390.1	80	45	23	B	100	56	23	B	120	67	24	B
114	460.91	466.9	80	45	24	B	100	63	24	B	120	67	24	B



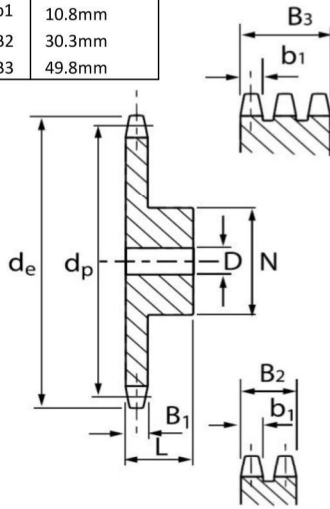


(10B) 5/8" British Standard Pitch

No. of Teeth	Pitch Dia dp	Outer Dia de	Simplex (10B1--)				Duplex (10B2--)				Triplex (10B3--)			
			Hub Dia	Length Bore	Stock Bore	Type	Hub Dia	Length Bore	Stock Bore	Type	Hub Dia	Length Bore	Stock Bore	Type
			N	L	D		N	L	D		N	L	D	
8	41.48	47	25	25	10	A	25	40	12	A	25	55	12	A
9	46.42	52.6	30	25	10	A	30	40	12	A	30	55	12	A
10	51.37	57.5	35	25	10	A	35	40	12	A	35	55	16	A
11	56.34	63	37	30	12	A	39	40	14	A	39	55	16	A
12	61.34	68	42	30	12	A	44	40	14	A	44	55	16	A
13	66.32	73	47	30	12	A	49	40	14	A	49	55	16	A
14	71.34	78	52	30	12	A	54	40	14	A	54	55	16	A
15	76.36	83	57	30	12	A	59	40	14	A	59	55	16	A
16	81.37	88	60	30	12	A	64	45	16	A	64	60	16	A
17	86.39	93	60	30	12	A	69	45	16	A	69	60	16	A
18	91.42	98.3	70	30	14	A	74	45	16	A	74	60	16	A
19	96.45	103.3	70	30	14	A	79	45	16	A	79	60	16	A
20	101.49	108.4	75	30	14	A	84	45	16	A	84	60	16	A
21	106.52	113.4	75	30	16	A	85	45	16	A	85	60	20	A
22	111.55	118	80	30	16	A	90	45	16	A	90	60	20	A
23	116.58	123.4	80	30	16	A	95	45	16	A	95	60	20	A
24	121.62	128.3	80	30	16	A	100	45	16	A	100	60	20	A
25	126.66	134	80	30	16	A	105	45	16	A	105	60	20	A
26	131.7	139	85	35	20	A	110	45	20	A	110	60	20	A
27	136.75	144	85	35	20	A	110	45	20	A	110	60	20	A
28	141.78	148.7	90	35	20	A	115	45	20	A	115	60	20	A
29	146.83	153.8	90	35	20	A	115	45	20	A	115	60	20	A
30	151.87	158.8	90	35	20	A	120	45	20	A	120	60	20	A
31	156.92	163.9	95	35	20	A	120	45	20	A	120	60	20	A
32	161.95	168.9	95	35	20	A	120	45	20	A	120	60	20	A
33	167	174.5	95	35	20	A	120	45	20	A	120	60	20	A
34	172.05	179	95	35	20	A	120	45	20	A	120	60	20	A
35	177.1	184.1	95	35	20	A	120	45	20	A	120	60	20	A
36	182.15	189.1	100	35	20	A	120	45	20	A	120	60	25	A
37	187.2	194.2	100	35	20	A	120	45	20	A	120	60	25	A
38	192.24	199.2	100	35	20	A	120	45	20	A	120	60	25	A
39	197.29	204.2	100	35	20	A	120	45	20	A	120	60	25	A
40	202.34	209.3	100	35	20	A	120	45	20	A	120	60	25	A
45	227.58	235	80	40	19	B	100	50	30	B	100	60	32	B
57	288.18	296	90	45	23	B	100	56	30	B	100	63	32	B
76	384.16	392.1	90	50	23	B	100	63	30	B	110	67	35	B
95	480.14	488.5	100	56	23	B	110	63	30	B	125	70	35	B
114	576.13	584.1	100	56	24	B	125	70	30	B	125	80	35	B

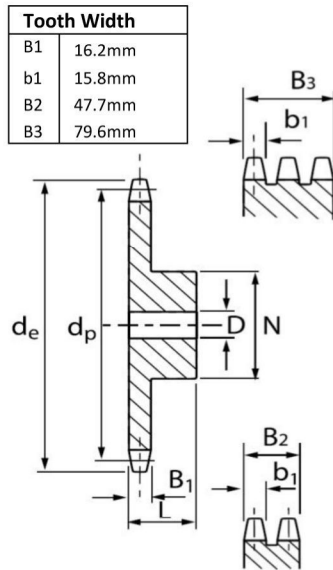


Tooth Width	
B1	11.1mm
b1	10.8mm
B2	30.3mm
B3	49.8mm



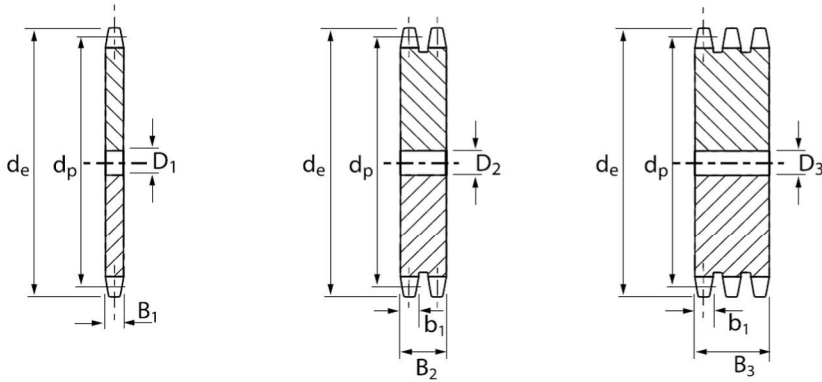
(12B) 3/4" British Standard Pitch

No. of Teeth	Pitch Dia	Outer Dia	Simplex (12B1--)				Duplex (12B2--)				Triplex (12B3--)			
			Hub Dia	Length Bore	Stock Bore	Type	Hub Dia	Length Bore	Stock Bore	Type	Hub Dia	Length Bore	Stock Bore	Type
			N	L	D		N	L	D		N	L	D	
8	49.78	57.6	31	30	12	A	31	45	12	A	31	65	16	A
9	55.7	62	37	30	12	A	37	45	12	A	37	65	16	A
10	61.64	69	42	30	12	A	42	45	12	A	42	65	16	A
11	67.61	75	46	35	14	A	47	50	16	A	47	70	20	A
12	73.61	81.5	52	35	14	A	53	50	16	A	53	70	20	A
13	79.59	87.5	58	35	14	A	59	50	16	A	59	70	20	A
14	85.61	93.6	64	35	14	A	65	50	16	A	65	70	20	A
15	91.63	99.8	70	35	14	A	71	50	16	A	71	70	20	A
16	97.65	105.5	75	35	16	A	77	50	20	A	77	70	20	A
17	103.67	111.5	80	35	16	A	83	50	20	A	83	70	20	A
18	109.71	118	80	35	16	A	89	50	20	A	89	70	20	A
19	115.75	124.2	80	35	16	A	95	50	20	A	95	70	20	A
20	121.78	129.7	80	35	16	A	100	50	20	A	100	70	20	A
21	127.82	136	90	40	20	A	100	50	20	A	100	70	20	A
22	133.86	141.8	90	40	20	A	100	50	20	A	100	70	20	A
23	139.9	149	90	40	20	A	110	50	20	A	110	70	20	A
24	145.94	153.9	90	40	20	A	110	50	20	A	110	70	20	A
25	152	160	90	40	20	A	120	50	20	A	120	70	20	A
26	158.04	165.9	95	40	20	A	120	50	20	A	120	70	20	A
27	164.09	172.3	95	40	20	A	120	50	20	A	120	70	20	A
28	170.13	178	95	40	20	A	120	50	20	A	120	70	20	A
29	176.19	184.1	95	40	20	A	120	50	20	A	120	70	20	A
30	182.25	190.5	95	40	20	A	120	50	20	A	120	70	20	A
31	188.31	196.3	95	40	20	A	120	50	20	A	130	70	25	A
32	194.35	203.3	95	40	20	A	120	50	20	A	130	70	25	A
33	200.4	209.3	95	40	20	A	120	50	20	A	130	70	25	A
34	206.46	214.6	95	40	20	A	120	50	20	A	130	70	25	A
35	212.52	221	95	40	20	A	120	50	20	A	130	70	25	A
36	218.58	226.8	100	40	20	A	120	50	25	A	130	70	25	A
37	224.64	232.9	100	40	20	A	120	50	25	A	130	70	25	A
38	230.69	239.8	100	40	20	A	120	50	25	A	130	70	25	A
39	236.75	245.1	100	40	20	A	120	50	25	A	130	70	25	A
40	242.81	251.3	100	40	20	A	120	50	25	A	130	70	25	A
45	273.1	282.5	100	56	24	B	110	63	30	B	140	70	30	B
57	345.81	354	100	56	30	B	120	63	30	B	140	70	40	B
76	460.99	469.9	100	56	30	B	135	63	30	B	160	75	40	B
95	576.17	585.1	100	65	30	B	135	70	30	B	170	82	40	B
114	691.36	700.6	100	65	30	B	135	70	45	B	170	82	50	B



(16B) 1" British Standard Pitch

No. of Teeth	Pitch Dia dp	Outer Dia de	Simplex (16B1--)				Duplex (16B2--)				Triplex (16B3--)			
			Hub Dia	Length Bore	Stock Bore	Type	Hub Dia	Length Bore	Stock Bore	Type	Hub Dia	Length Bore	Stock Bore	Type
			N	L	D		N	L	D		N	L	D	
8	66.37	77	42	35	16	A	42	65	16	A	42	95	20	A
9	74.27	85	50	35	16	A	50	65	16	A	50	95	20	A
10	82.19	93	55	35	16	A	56	65	16	A	56	95	20	A
11	90.14	99.5	61	40	16	A	64	70	20	A	64	100	25	A
12	93.14	109	69	40	16	A	72	70	20	A	72	100	25	A
13	106.12	117	78	40	16	A	80	70	20	A	80	100	25	A
14	114.15	125	84	40	16	A	88	70	20	A	88	100	25	A
15	122.17	133	92	40	16	A	96	70	20	A	96	100	25	A
16	130.2	141	100	14	20	A	104	70	20	A	104	100	25	A
17	138.22	149	100	45	20	A	112	70	20	A	112	100	25	A
18	146.28	157	100	45	20	A	120	70	20	A	120	100	25	A
19	154.33	165.2	100	45	20	A	128	70	20	A	128	100	25	A
20	162.38	173.2	100	45	20	A	130	70	20	A	130	100	25	A
21	170.43	181.2	110	50	20	A	130	70	25	A	130	100	25	A
22	178.48	189.3	110	50	20	A	130	70	25	A	130	100	25	A
23	186.53	197.5	110	50	20	A	130	70	25	A	130	100	25	A
24	194.59	205.5	110	50	20	A	130	70	25	A	130	100	25	A
25	202.66	213.5	110	50	20	A	130	70	25	A	130	100	25	A
26	210.72	221.6	120	50	20	A	130	70	25	A	130	100	30	A
27	218.79	229.6	120	50	20	A	130	70	25	A	130	100	30	A
28	226.85	237.7	120	50	20	A	130	70	25	A	130	100	30	A
29	234.92	245.8	120	50	20	A	130	70	25	A	130	100	30	A
30	243	254	120	50	20	A	130	70	25	A	130	100	30	A
31	251.08	262	120	50	25	A	140	70	25	A	140	100	30	B
32	259.13	270	120	50	25	A	140	70	25	A	140	100	30	B
33	267.21	278.5	120	50	25	A	140	70	25	A	140	100	30	B
34	275.28	287	120	50	25	A	140	70	25	A	140	100	30	B
35	283.36	296.2	120	50	25	A	140	70	25	A	140	100	30	B
36	291.44	304.6	120	50	25	A	140	70	25	A	140	100	30	B
37	299.51	312.6	120	50	25	A	140	70	25	A	140	100	30	B
38	307.59	320.7	120	50	25	A	140	70	25	A	140	100	30	B
39	315.67	328.8	120	50	25	A	140	70	25	A	140	100	30	B
40	323.75	336.9	120	50	25	A	140	70	25	A	140	100	30	B
45	364.13	377	125	70	30	B	150	75	40	B	160	100	45	B
57	461.08	474	125	70	35	B	170	90	40	B	180	100	45	B
76	614.65	627	140	80	35	B	175	95	40	B	200	110	45	B
95	768.22	781.1	140	80	40	B	175	95	45	B	200	110	50	B
114	921.81	935.6	140	80	40	B	175	95	45	B	200	115	50	B



05B British Standard Platewheel - 8mm x 3mm Pitch

- B1 2.8mm
- b1 2.7mm
- B2 8.3mm

06B British Standard Platewheel - 3/8" x 7/32" Pitch

- b1 5.3mm
- b1 5.2mm
- B2 15.4mm
- B3 25.6mm

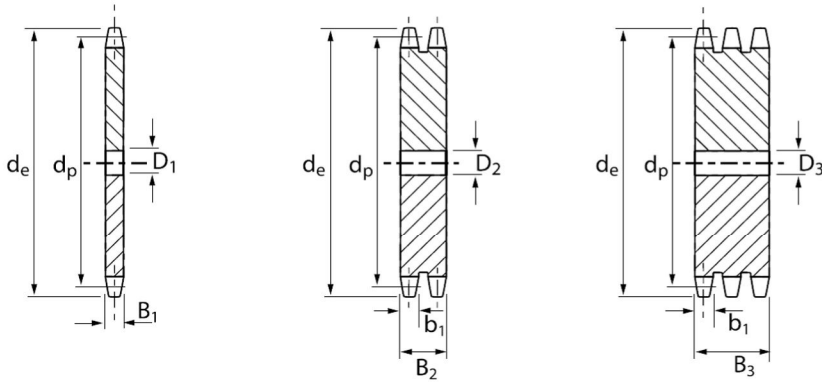
08B British Standard Platewheel - 1/2" x 5/16" Pitch

- B1 7.2mm
- b1 7.0mm
- B2 21mm
- B3 34.9mm

No. of teeth	Pitch Dia. (dp)	Outside Dia. (de)	Bore	
			D1	D2
8	20.90	24.00	6	8
9	23.39	26.60	6	8
10	25.89	29.20	8	8
11	28.39	31.70	8	8
12	30.91	34.20	8	8
13	33.42	36.70	8	8
14	35.95	39.20	8	8
15	38.48	41.70	8	8
16	41.01	44.30	8	10
17	43.53	46.80	8	10
18	46.07	49.30	8	10
19	48.61	51.90	8	10
20	51.14	54.40	8	10
21	53.68	57.00	8	10
22	56.21	59.50	8	10
23	58.75	62.00	8	10
24	61.29	64.60	8	10
25	63.83	67.50	8	10
26	66.37	69.50	10	12
27	68.91	72.20	10	12
28	71.45	74.80	10	12
29	73.99	77.30	10	12
30	76.53	79.80	10	12
31	79.08	82.40	10	12
32	81.61	84.90	10	12
33	84.16	87.50	10	12
34	86.70	90.00	10	12
35	89.25	92.50	10	12
36	91.79	95.00	10	12
37	94.33	97.60	10	12
38	96.88	100.20	10	12
39	99.42	102.70	10	12
40	101.97	105.30	10	12
41	104.51	107.80	12	14
42	107.05	110.40	12	14
43	109.60	112.90	12	14
44	112.14	115.50	12	14
45	114.69	118.00	12	14
46	117.23	120.60	12	14
47	119.77	123.10	12	14
48	122.32	125.60	12	14
57	145.22	148.60	14	16
76	193.59	197.70	20	20
95	241.96	246.10	20	20

No. of teeth	Pitch Dia. (dp)	Outside Dia. (de)	Bore		
			D1	D2	D3
8	24.89	28.00	6	8	8
9	27.85	31.00	7	8	8
10	30.82	34.00	7	8	10
11	33.80	37.00	8	10	10
12	36.80	40.00	8	10	10
13	39.79	43.00	8	10	10
14	42.80	46.30	8	10	12
15	45.81	49.30	8	10	12
16	48.82	52.30	10	12	12
17	51.83	55.30	10	12	12
18	54.85	58.30	10	12	12
19	57.87	61.30	10	12	12
20	60.89	64.30	10	12	12
21	63.91	68.00	10	12	14
22	66.93	71.00	10	12	14
23	69.95	73.50	10	12	14
24	72.97	77.00	10	12	14
25	76.00	80.00	10	12	14
26	79.02	83.00	10	12	14
27	82.05	86.00	10	12	14
28	85.07	89.00	10	12	14
29	88.09	92.00	10	12	14
30	91.12	94.70	10	12	14
31	94.15	98.30	12	14	16
32	97.17	101.30	12	14	16
33	100.20	104.30	12	14	16
34	103.23	107.30	12	14	16
35	106.26	110.40	12	14	16
36	109.29	113.40	12	14	16
37	112.32	116.40	12	14	16
38	115.35	119.50	12	14	16
39	118.37	122.50	12	14	16
40	121.40	125.50	12	14	16
41	124.43	128.50	16	16	16
42	127.46	131.60	16	16	16
43	130.49	134.60	16	16	16
44	133.52	137.60	16	16	16
45	136.55	140.70	16	16	16
46	139.58	143.70	16	16	16
47	142.61	146.70	16	16	16
48	145.64	149.70	16	16	16
57	172.91	176.90	16	16	20
76	230.49	234.90	20	20	25
95	288.08	292.50	20	20	25

No. of teeth	Pitch Dia. (dp)	Outside Dia. (de)	Bore		
			D1	D2	D3
8	33.18	37.2	8	10	10
9	37.13	41	8	10	10
10	41.1	45.2	8	10	10
11	45.07	48.7	10	10	12
12	49.07	53	10	10	12
13	53.06	57.4	10	10	12
14	57.07	61.8	10	10	12
15	61.09	65.5	10	10	12
16	65.1	69.5	10	12	16
17	69.11	73.6	10	12	16
18	73.14	77.8	10	12	16
19	77.16	81.7	10	12	16
20	81.19	85.8	10	12	16
21	85.22	89.7	12	16	16
22	89.24	93.8	12	16	16
23	93.27	98.2	12	16	16
24	97.29	101.8	12	16	16
25	101.33	105.8	12	16	16
26	105.36	110	16	16	16
27	109.4	114	16	16	16
28	113.42	118	16	16	16
29	117.46	122	16	16	16
30	121.5	126.1	16	16	16
31	125.54	130.2	16	16	20
32	129.56	134.3	16	16	20
33	133.6	138.4	16	16	20
34	137.64	142.6	16	16	20
35	141.68	146.7	16	16	20
36	145.72	151	16	20	20
37	149.76	154.6	16	20	20
38	153.8	158.6	16	20	20
39	157.83	162.7	16	20	20
40	161.87	166.8	16	20	20
41	165.91	171.4	20	20	25
42	169.95	175.4	20	20	25
43	173.99	179.7	20	20	25
44	178.03	183.8	20	20	25
45	182.07	188	20	20	25
46	186.1	192.1	20	20	25
47	190.14	196.2	20	20	25
48	194.18	200.3	20	20	25
57	230.54	236.4	20	25	25
76	307.33	313.3	25	25	25
95	384.11	390.1	25	25	25



10B British Standard Platewheel - 5/8" x 3/8" Pitch

B1	9.1mm
b1	9mm
B2	25.5mm
B3	42.1mm

12B British Standard Platewheel - 3/4" x 7/16" Pitch

B1	11.1mm
b1	10.8mm
B2	30.3mm
B3	49.8mm

16B British Standard Platewheel - 1" x 17.02mm Pitch

B1	16.2mm
b1	15.8mm
B2	47.7mm
B3	79.6mm

No. of teeth	Pitch Dia. (dp)	Outside Dia. (de)	Bore		
			D1	D2	D3
8	41.48	47	10	10	12
9	46.42	52.6	10	10	12
10	51.37	57.5	10	10	12
11	56.34	63	10	10	12
12	61.34	68	10	10	12
13	66.32	73	10	10	12
14	71.34	78	10	10	12
15	76.36	83	10	12	12
16	81.37	88	12	12	16
17	86.39	93	12	12	16
18	91.42	98.3	12	12	16
19	96.45	103.3	12	12	16
20	101.49	108.4	12	12	16
21	106.52	113.4	12	16	16
22	111.55	118	12	16	16
23	116.58	123.4	12	16	16
24	121.62	128.3	12	16	16
25	126.66	134	12	16	16
26	131.7	139	16	16	20
27	136.75	144	16	16	20
28	141.78	148.7	16	16	20
29	146.83	153.8	16	16	20
30	151.87	158.8	16	16	20
31	156.92	163.9	16	20	20
32	161.95	168.9	16	20	20
33	167	174.5	16	20	20
34	172.05	179	16	20	20
35	177.1	184.1	16	20	20
36	182.15	189.1	20	20	25
37	187.2	194.2	20	20	25
38	192.24	199.2	20	20	25
39	197.29	204.2	20	20	25
40	202.34	209.3	20	20	25
41	207.39	214.8	20	20	25
42	212.44	219.9	20	20	25
43	217.49	224.9	20	20	25
44	222.53	230	20	20	25
45	227.58	235	20	20	25
46	232.63	240.1	20	25	25
47	237.68	245.1	20	25	25
48	242.73	250.2	20	25	25
57	288.18	296	25	25	25
76	384.16	392.1	25	25	30
95	480.14	488.5	30	30	30

No. of teeth	Pitch Dia. (dp)	Outside Dia. (de)	Bore		
			D1	D2	D3
8	49.78	57.6	12	12	12
9	55.7	62	12	12	12
10	61.64	69	12	12	12
11	67.61	75	14	14	16
12	73.61	81.5	14	14	16
13	79.59	87.5	14	14	16
14	85.61	93.6	14	14	16
15	91.63	99.8	14	14	16
16	97.65	105.5	14	16	16
17	103.67	111.5	14	16	16
18	109.71	118	14	16	16
19	115.75	124.2	14	16	16
20	121.78	129.7	14	16	16
21	127.82	136	16	16	20
22	133.86	141.8	16	16	20
23	139.9	149	16	16	20
24	145.94	153.9	16	16	20
25	152	160	16	16	20
26	158.04	165.9	16	20	20
27	164.09	172.3	16	20	20
28	170.13	178	16	20	20
29	176.19	184.1	16	20	20
30	182.25	190.5	16	20	20
31	188.31	196.3	20	20	25
32	194.35	203.3	20	20	25
33	200.4	209.3	20	20	25
34	206.46	214.6	20	20	25
35	212.52	221	20	20	25
36	218.58	226.8	20	25	25
37	224.64	232.9	20	25	25
38	230.69	239	20	25	25
39	236.75	245.1	20	25	25
40	242.81	251.3	20	25	25
41	248.87	257.3	20	25	25
42	254.93	264.5	20	25	25
43	260.98	270.5	25	25	25
44	267.04	276.5	25	25	25
45	273.1	282.5	25	25	25
46	279.16	287.9	25	25	25
47	285.21	294	25	25	25
48	291.27	300.1	25	25	25
57	345.81	355.4	25	25	30
76	460.99	469.9	30	30	30
95	576.17	585.1	30	30	30

No. of teeth	Pitch Dia. (dp)	Outside Dia. (de)	Bore		
			D1	D2	D3
8	66.37	77	14	16	16
9	74.27	85	14	16	16
10	82.19	93	15	20	16
11	90.14	99.5	15	20	20
12	98.14	109	15	20	20
13	106.12	117	15	20	20
14	114.15	125	15	20	20
15	122.17	133	15	20	20
16	130.2	141	19	20	25
17	138.22	149	19	20	25
18	146.28	157	19	20	25
19	154.33	165.2	19	20	25
20	162.38	173.2	19	20	25
21	170.43	181.2	20	25	25
22	178.48	189.3	20	25	25
23	186.53	197.5	20	25	25
24	194.59	205.5	20	25	25
25	202.66	213.5	20	25	25
26	210.72	221.6	20	25	30
27	218.79	229.6	20	25	30
28	226.85	237.7	20	25	30
29	234.92	245.8	20	25	30
30	243	254	20	25	30
31	251.08	262	25	25	30
32	259.13	270	25	25	30
33	267.21	278.5	25	25	30
34	275.28	287	25	25	30
35	283.26	296.2	25	25	30
36	291.44	304.6	25	25	30
37	299.51	312.6	25	25	30
38	307.59	320.7	25	25	30
39	315.67	328.8	25	25	30
40	323.75	336.9	25	25	30
41	331.82	345	25	25	30
42	339.9	353	25	25	30
43	347.98	361.1	25	25	30
44	356.06	369.1	25	25	30
45	364.13	377.1	25	25	30
46	372.21	385.2	25	25	30
47	380.29	393.2	25	25	30
48	388.36	401.3	25	25	30
57	461.07	474	30	30	40
76	614.65	627	30	30	40
95	768.22	781.1	30	30	40